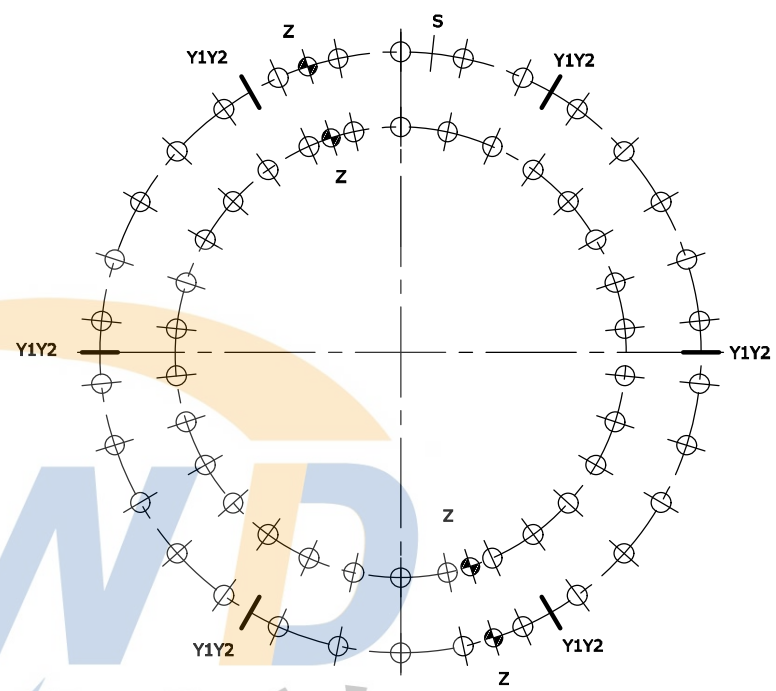
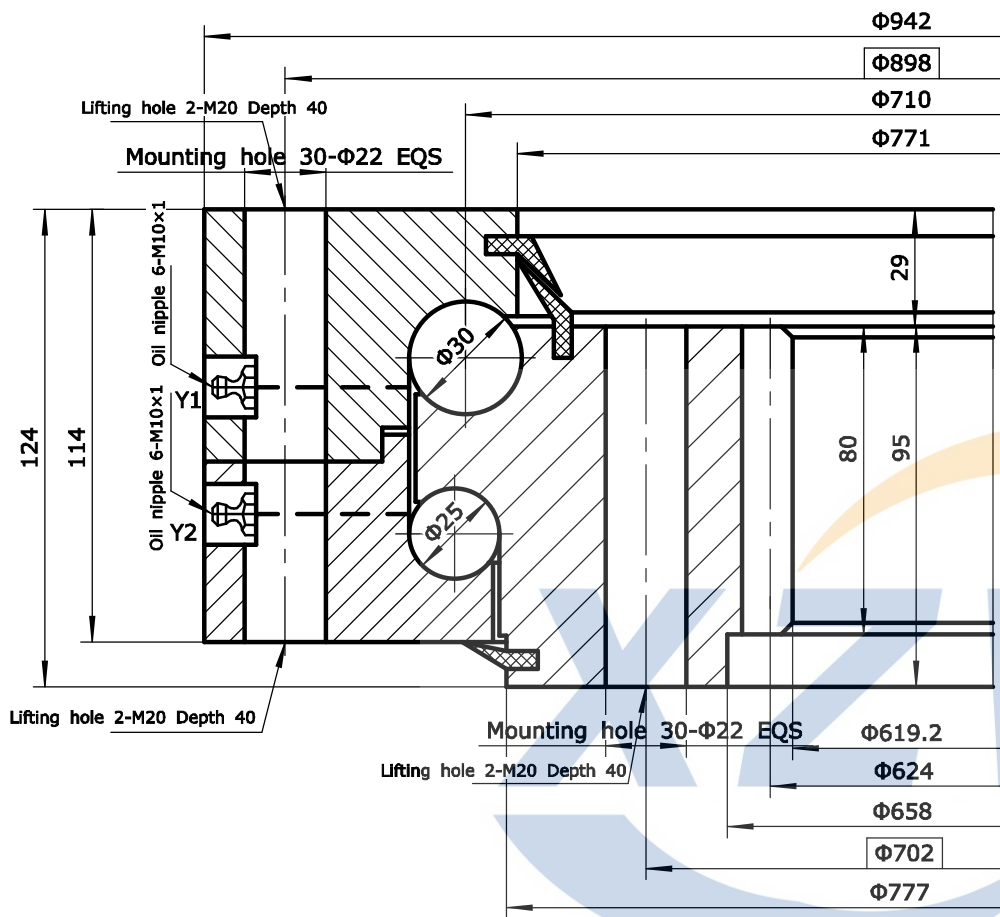



U.O.N $\sqrt{6.3}$



Notes:
 1. Raceway of inner & outer ring induction hardened. hardness: 55~62HRC
 Depth ≥ 3.5mm
 2. Inner & outer ring quenched & tempered, hardness: 207~262HB

Gear Data				Design		Check		Machine tolerances without notes				Model	023.30.800		Weight	200kg	
Module	m	8	Gear heat treatment requirements		Date	Approve						Name	Slewing Bearing		Scale		
Teeth no	z	78	HRC		Qty	Size	Axial clearance	0.10~0.30		≤200	≤500	≤710	≤1120	Material	50Mn	Total 1 page	The 1st page
Teeth pressure angle	α	20°	Precision(GB10095-88)	10	Inner ring mounting hole	30	Φ22	Radial clearance	0.20~0.90	±0.30	±0.40	±0.50	±0.65	XUZHOU WANDA SLEWING BEARING CO.,LTD  Fax: +86 516 83309366 Fax: +86 516 83915766 http://www.slew-bearing.com			
Modification coefficients	x	+0.5			Outer ring mounting hole	30	Φ22			≤1600	≤2000	≤2500	≤3150				
Reduction coefficients	km	1.6			Oil hole	2×6	M10×1			±0.80	±0.95	±1.10	±1.35				
Pitch diameter	d	624									≤4000	≤5000					
										±1.65	±2.0						
										Technical processing standards without notes according to ...JB/T300-2011							